

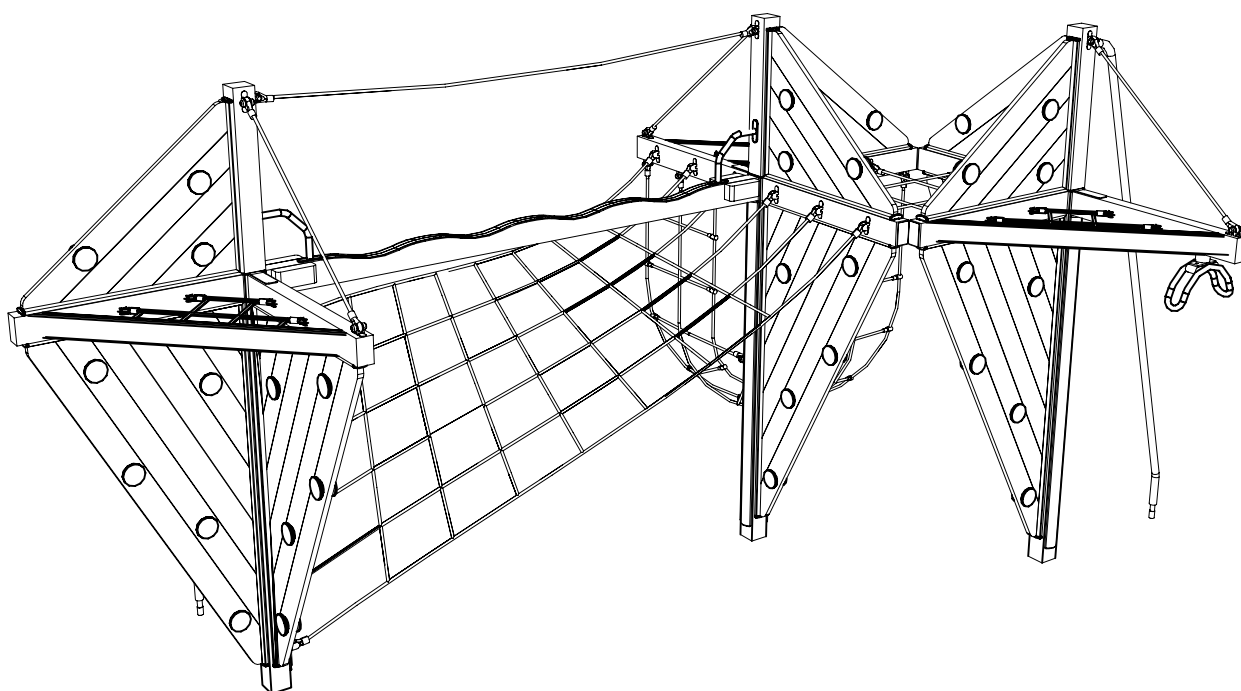
# **LAPPSET®**

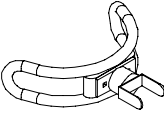
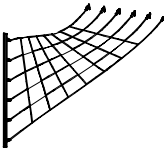
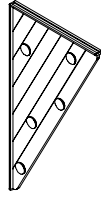
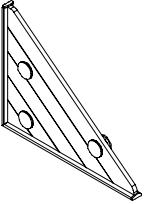
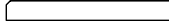



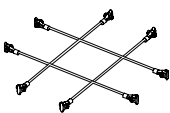
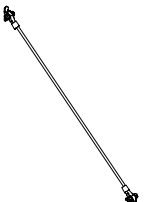
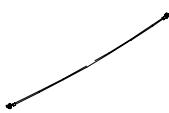
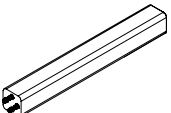
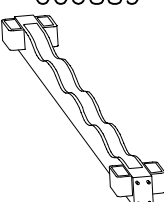
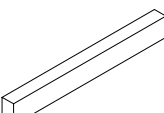
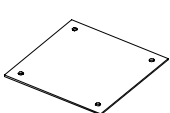
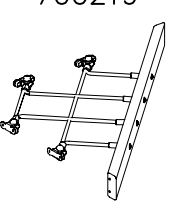
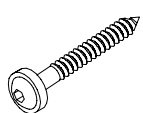



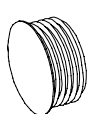
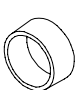
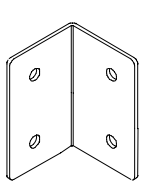
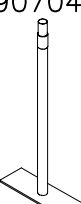
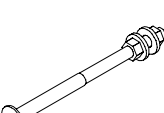
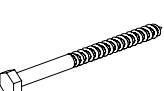
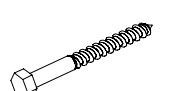
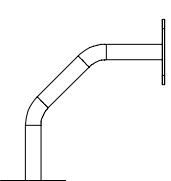
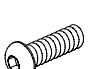
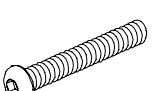

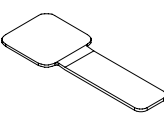

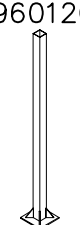
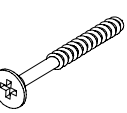
## **CLUB**

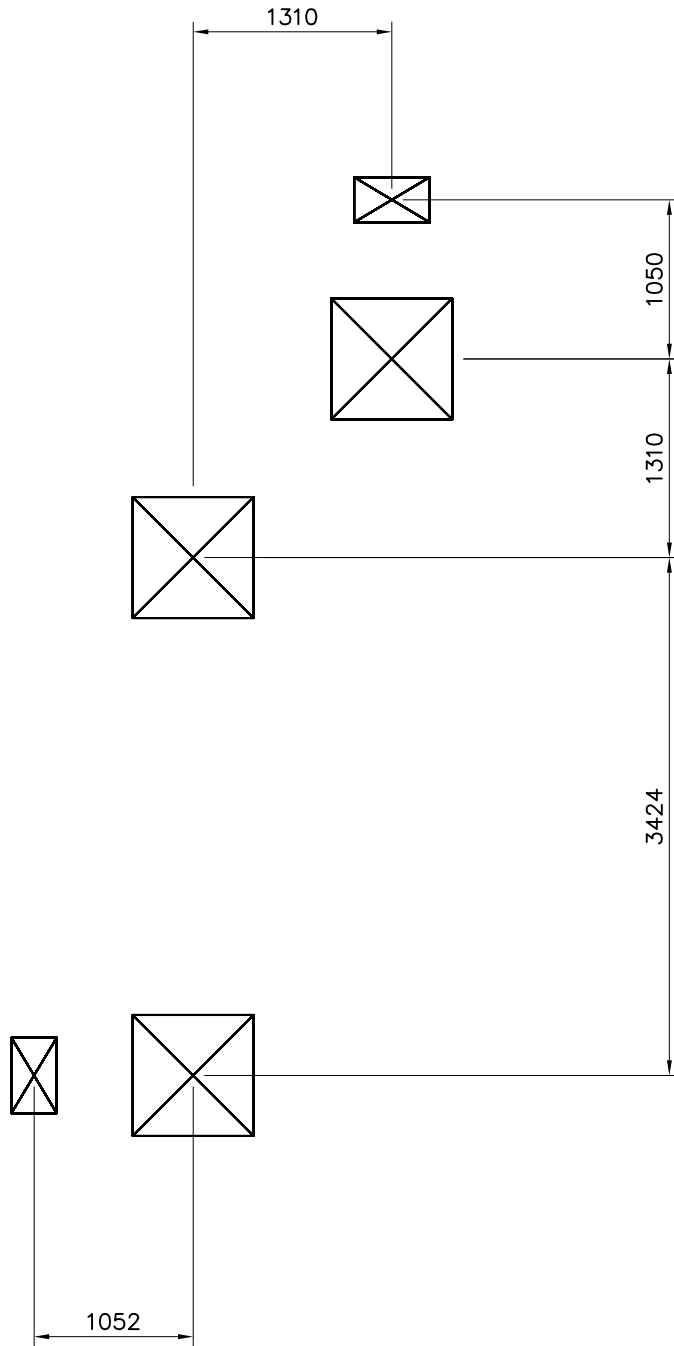
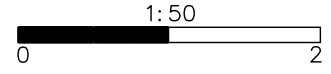
ASENNUSOHJE  
MONTERINGSANSVISNING  
INSTALLATION INSTRUCTION  
AUFBAUANLEITUNG  
NOTICE D'INSTALLATION

REF: 150310  
DATE: 4.1.2007

# **150310**

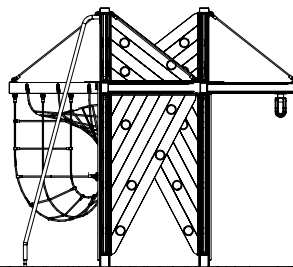
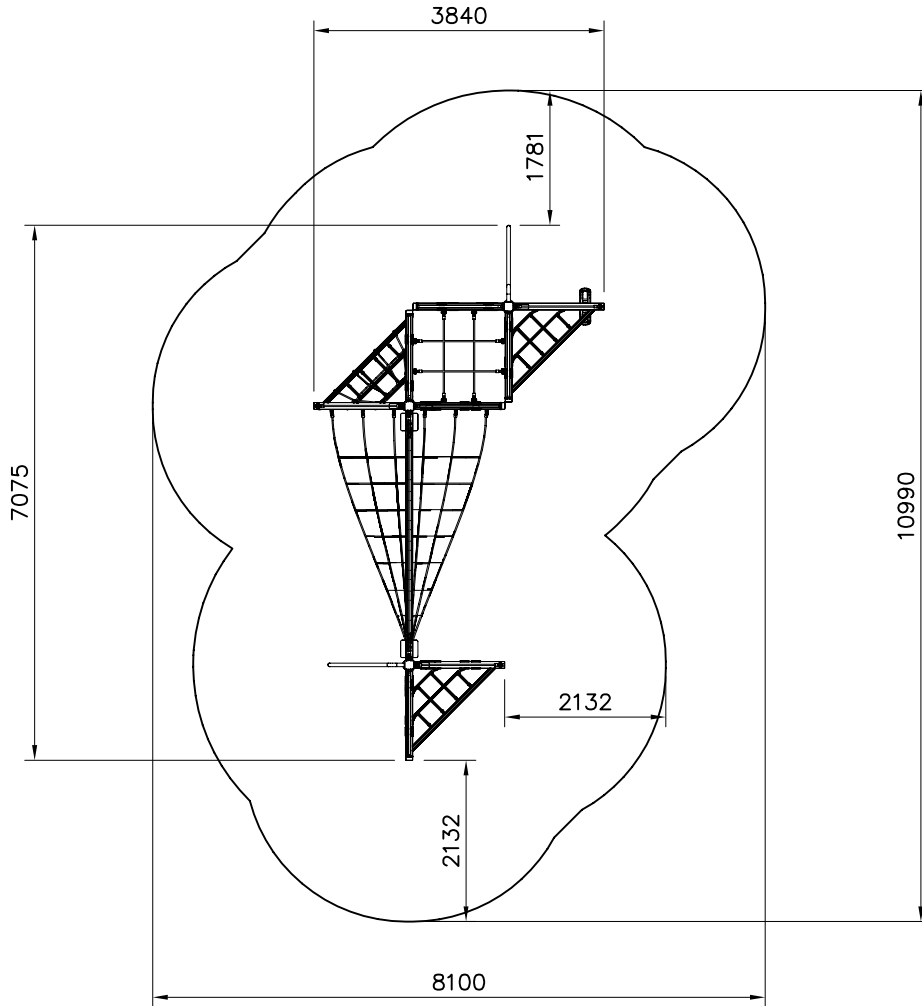
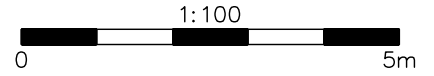


005358  L 2350	PCS 1	005360  L 1200	PCS 1	005361  L 2135	PCS 5	005362  L 916	PCS 5	005363 	PCS 1	006860  L 2200	PCS 2
006861 	PCS 2	006869 	PCS 1	006876 	PCS 1	006877  L 1420	PCS 3	006879  L 3340	PCS 1	006884  L 975	PCS 3
006889  L 3300	PCS 1	006892 	PCS 8	009917  350x350	PCS 3	700219  L 1670	PCS 3	900240  8x70	PCS 110	980151  Ø16/8.4	PCS 102
905051  Ø24/8.5	PCS 24	905083  Ø32	PCS 12	905103  PT-28/32-H	PCS 24	905112  Ø22	PCS 12	905211 	PCS 2	907040 	PCS 2
909215  HPM 16x280	PCS 12	909233  8x100	PCS 12	909243  6x60	PCS 90	901798 	PCS 2	909850  M8x25 RST	PCS 72	909851  8x55 RST	PCS 24
929331  L 3210	PCS 2	929341 	PCS 3	960100  Ø20	PCS 162	960120  L 2900	PCS 3	980107  6x60	PCS 12		PCS
	PCS		PCS		PCS		PCS		PCS		PCS



<p>Sand 0.2-2 mm/          Gravel 2-8 mm</p> <p>907040</p> <p>300          600</p>	<p>Sand 0.2-2 mm/          Gravel 2-8 mm</p> <p>Concrete          1200x1200x330</p> <p>300          800</p>	<p>9917 909215</p> <p>60</p> <p>460          460</p>
<p>M16          (909215)</p>		

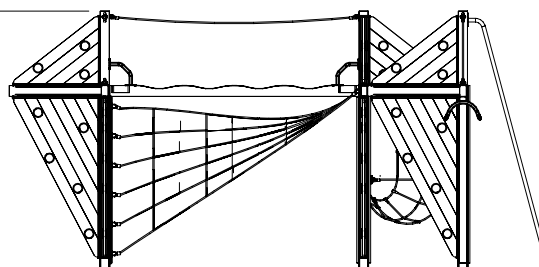
EN Impact Area 61.9 m<sup>2</sup>

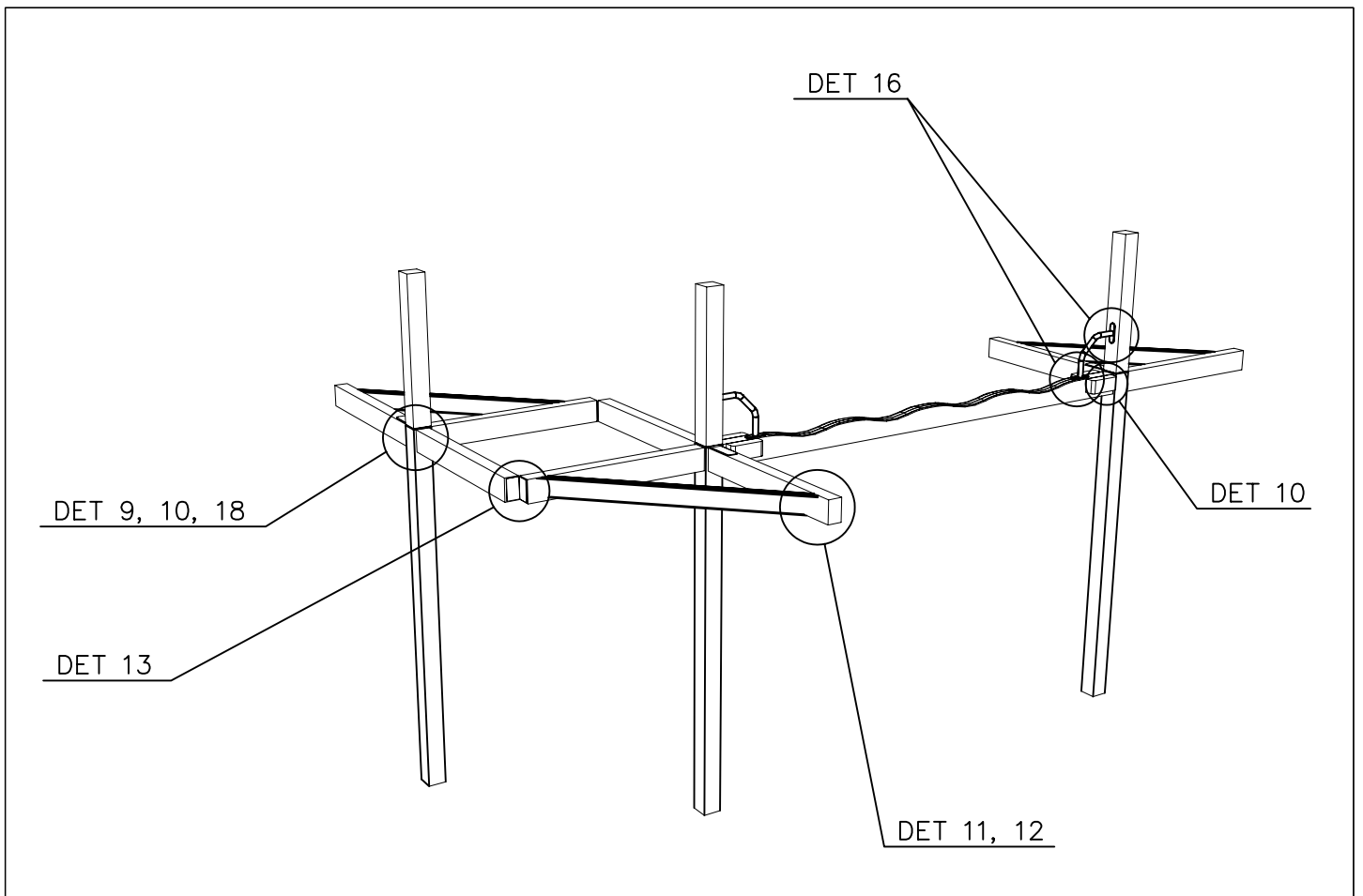
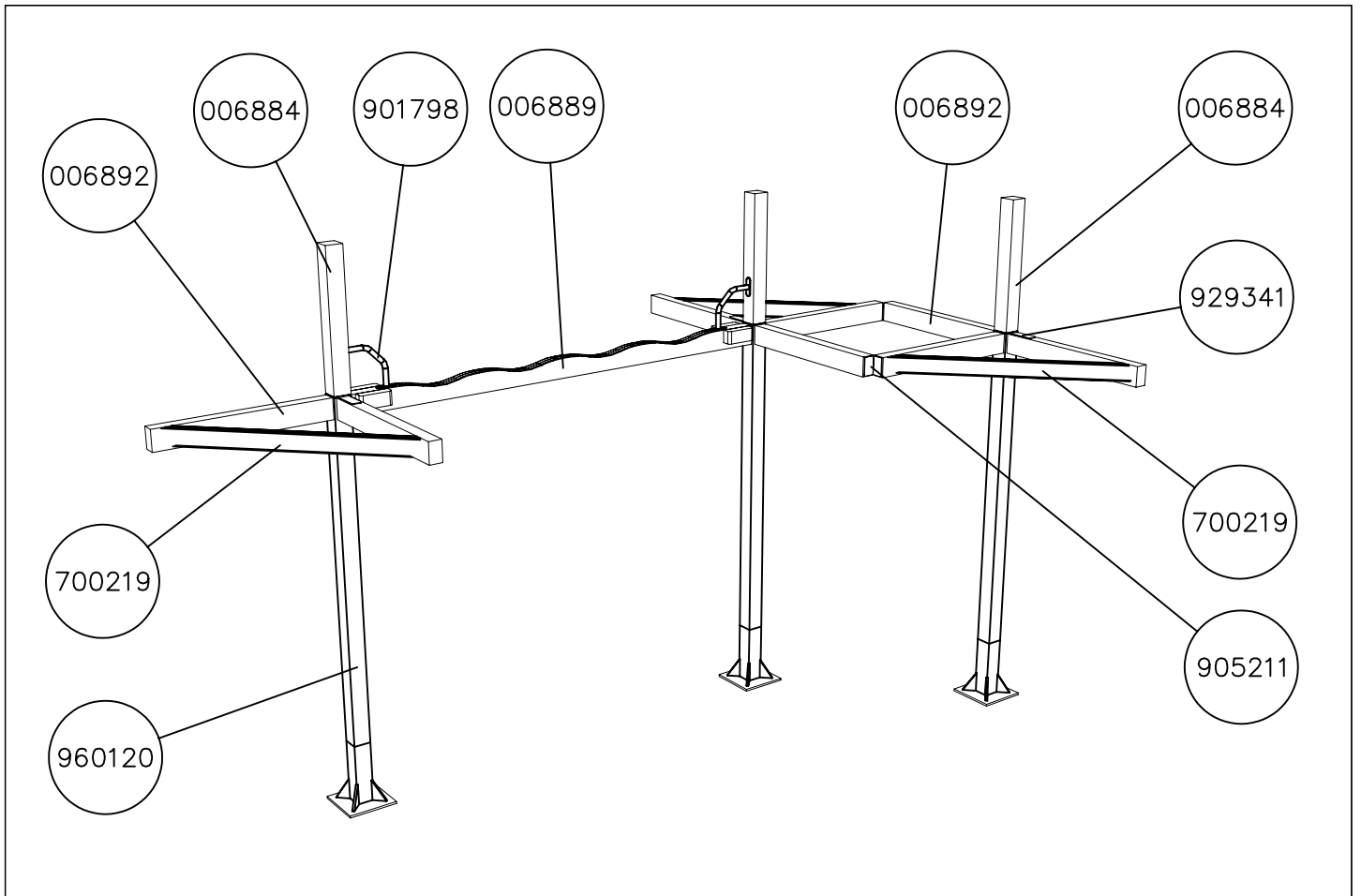


+3432

+2448

+0





<p>DET 1</p> <p>250</p> <p>Ø8x70</p> <p>Set screws distorted.</p>	<p>DET 2</p> <p>Ø16/8.4</p> <p>6x60</p> <p>960100</p>	<p>DET 3</p> <p>M8x25</p> <p>960100</p>	<p>DET 4</p> <p>MARK NET FASTENING</p> <p>ATT I</p> <p>005363</p> <p>PEN</p> <p>PATTERN</p>
<p>DET 5</p> <p>905103</p> <p>M8x55</p> <p>Ø24/8.4</p>	<p>DET 6</p> <p>370 370</p> <p>70</p> <p>006869</p>	<p>DET 7</p> <p>400 400 400</p>	<p>DET 8</p> <p>70</p>
<p>DET 9</p> <p>006884</p> <p>M10</p>	<p>DET 10</p> <p>006884</p>	<p>DET 11</p> <p>905083</p> <p>Ø16/8,4</p> <p>8x100</p> <p>905112</p>	<p>DET 12</p> <p>Ø230mm</p>
<p>DET 13</p> <p>8x70</p> <p>905211</p>	<p>DET 14</p> <p>929331</p> <p>907040</p>	<p>DET 15</p> <p>8x70</p>	<p>DET 16</p> <p>8x70</p>
<p>DET 17</p> <p>8x70</p> <p>15</p> <p>929331</p>	<p>DET 18</p> <p>6x60</p> <p>006884</p>		

